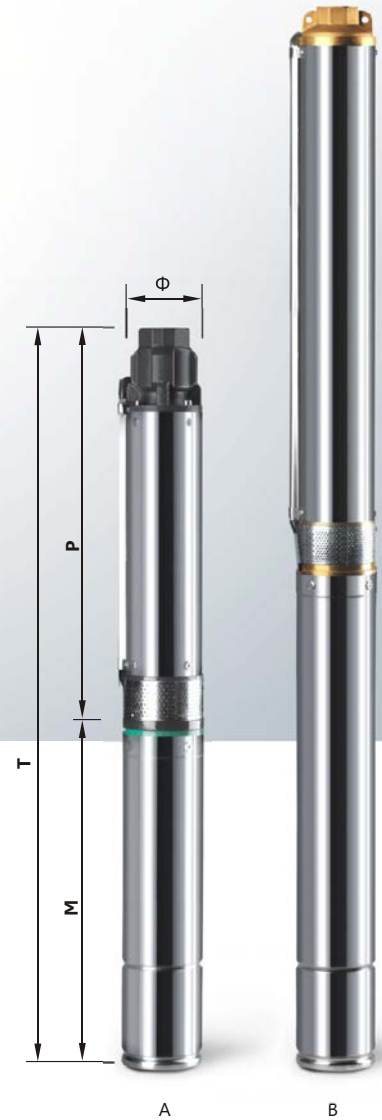
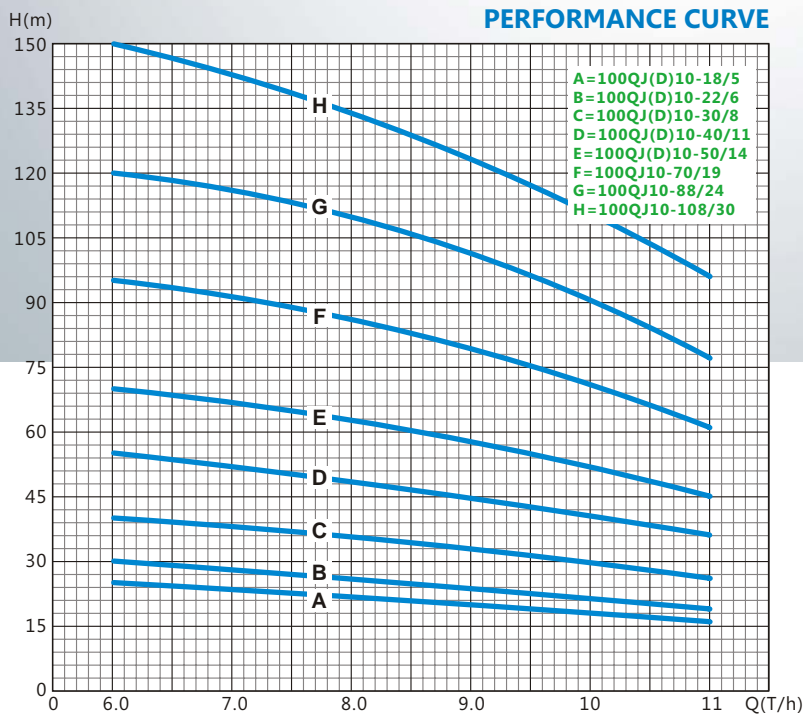


STAINLESS STEEL SUBMERSIBLE PUMP

MODEL 100QJ(D)-10T



TECHNICAL DATA

Model	Power		Voltage (V)	Ampere (A)	Capacity(Q) and Head(H)							Pipe Dia	Pump weight (Kg)	Boundary dimension (mm)			
	kW	HP			H	Q	6	7	8	9	10			11	Total length T	Motor length M	Pump casing length P
100QJD10-18/5 A/B	0.75	1	220	5.8	H (m)	25	23	20	19	18	16	14	890	392	498	96	
100QJD10-22/6 A/B	1.1	1.5	220	7.8		30	27	24	23	22	19		16	971	422	549	96
100QJD10-30/8 A/B	1.5	2	220	10.2		40	36	32	31	30	26	18		1103	452	651	96
100QJD10-40/11 A/B	2.2	3	220	12.5		55	50	44	42	40	36		20	1297	492	805	96
100QJD10-50/14 A/B	3	4	220	16		70	63	56	53	50	45	23		1525	567	958	96
100QJ10-18/5 A/B	0.75	1	380	2.8		25	23	20	19	18	16		2	13	870	372	498
100QJ10-22/6 A/B	1.1	1.5	380	3.8		30	27	24	23	22	19	15		941	392	549	96
100QJ10-30/8 A/B	1.5	2	380	4.5		40	36	32	31	30	26	17		1073	422	651	96
100QJ10-40/11 A/B	2.2	3	380	5.8		55	50	44	42	40	36	19		1257	452	805	96
100QJ10-50/14 A/B	3	4	380	7.2		70	63	56	53	50	45	22		1450	492	958	96
100QJ10-70/19 A/B	4	5.5	380	9.5		95	86	76	72	70	61	25		1812	567	1245	96
100QJ10-88/24 A/B	5.5	7.5	380	12.5		120	108	96	92	88	77	29		2154	652	1502	96
100QJ10-108/30 A/B	7.5	10	380	16.5		150	135	120	114	108	96	34		2551	742	1809	96