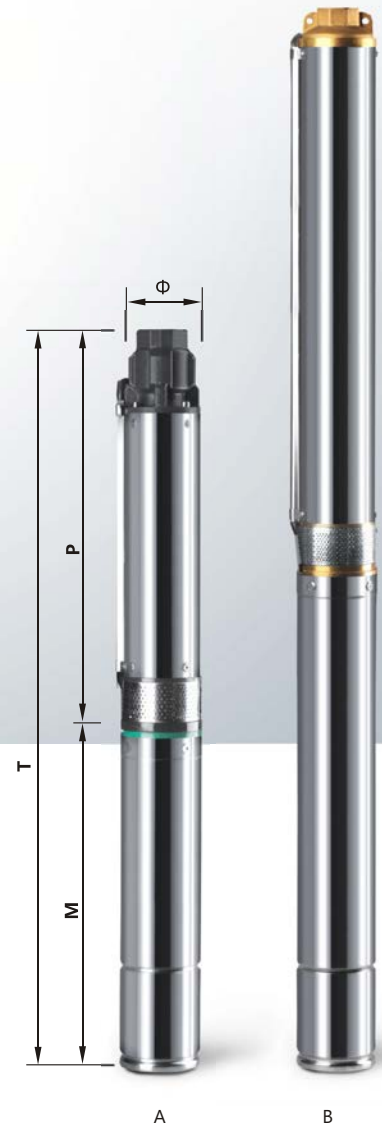
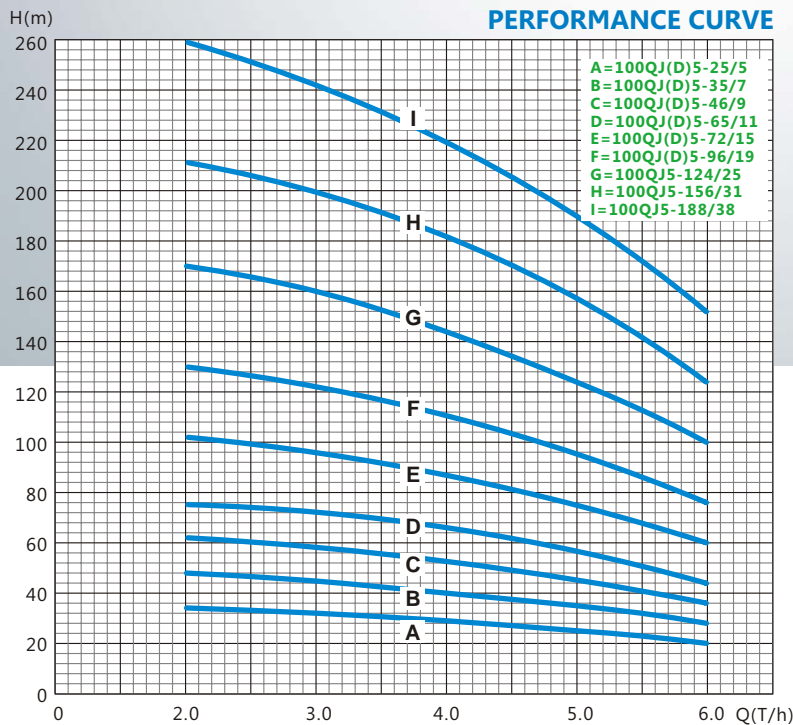


STAINLESS STEEL SUBMERSIBLE PUMP

MODEL 100QJ(D)-5T



TECHNICAL DATA

Model	Power		Voltage (V)	Ampere (A)	Capacity(Q) and Head(H)						Pipe Dia	Pump weight (Kg)	Boundary dimension (mm)			
	kW	HP			Q T/h	2	3	4	5	5.5			6	Total length T	Motor length M	Pump casing length P
100QJD5-25/5 A/B	0.55	0.75	220	4.2	H	34	32	29	25	23	20	13	795	372	423	96
100QJD5-35/7 A/B	0.75	1	220	5.8	(m)	48	45	40	35	32	28	14	887	395	495	96
100QJD5-46/9 A/B	1.1	1.5	220	7.8		62	58	52	46	41	36	16	989	422	567	96
100QJD5-56/11 A/B	1.5	2	220	10.2		75	71	63	56	50	44	18	1092	452	640	96
100QJD5-76/15 A/B	2.2	3	220	12.5		102	96	86	76	68	60	20	1277	492	785	96
100QJD5-96/19 A/B	3	4	220	16		130	122	109	96	86	76	23	1528	567	961	96
100QJ5-25/5 A/B	0.55	0.75	380	1.9		34	32	29	25	23	20	12.5	780	357	423	96
100QJ5-35/7 A/B	0.75	1	380	2.8		48	45	40	35	32	28	1 1/2	867	372	495	96
100QJ5-46/9 A/B	1.1	1.5	380	3.8		62	58	52	46	41	36	15.5	959	392	567	96
100QJ5-56/11 A/B	1.5	2	380	4.5		75	71	63	56	50	44	17.5	1062	422	640	96
100QJ5-76/15 A/B	2.2	3	380	5.8		102	96	86	76	68	60	19.5	1237	452	785	96
100QJ5-96/19 A/B	3	4	380	7.2		130	122	109	96	86	76	22	1453	492	961	96
100QJ5-124/25 A/B	4	5.5	380	9.5		170	160	143	124	113	100	25	1746	567	1179	96
100QJ5-156/31 A/B	5.5	7.5	380	12.5		211	199	177	156	140	124	30	2049	652	1397	96
100QJ5-188/38 A/B	7.5	10	380	16.5		259	244	217	188	171	152	36	2424	742	1682	96