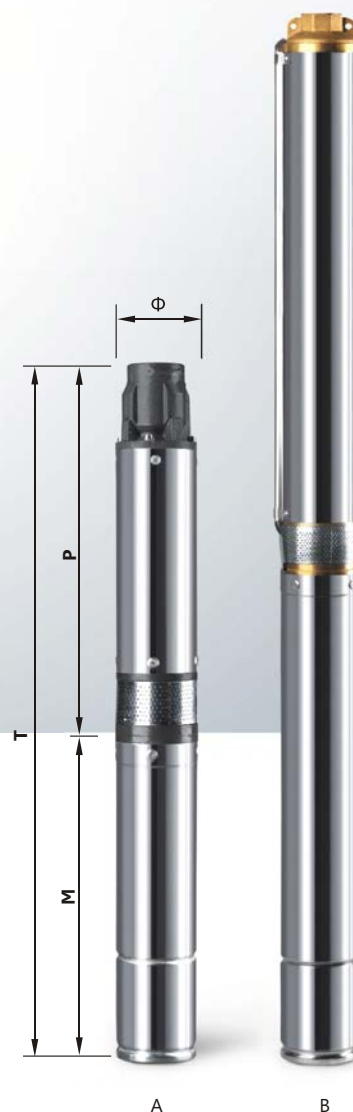
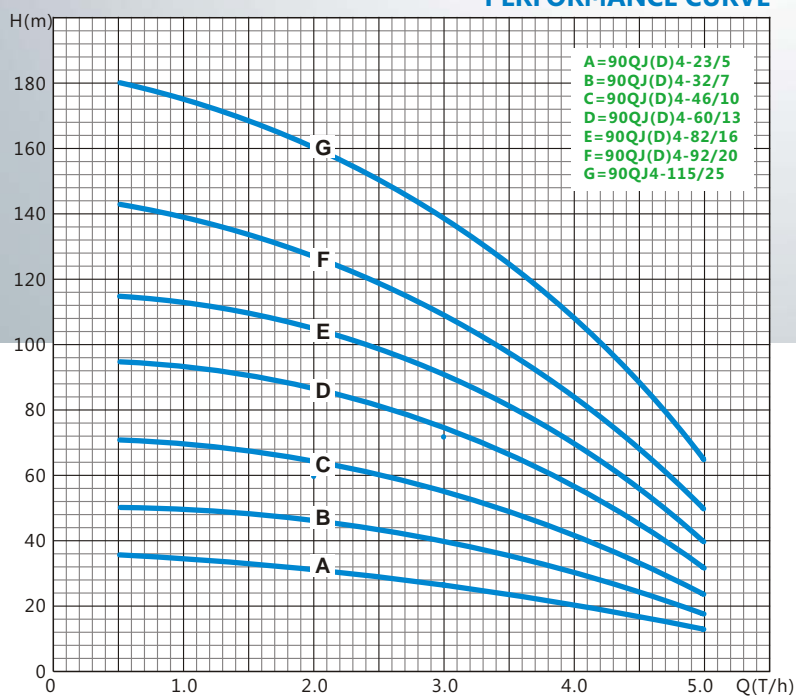


# STAINLESS STEEL SUBMERSIBLE PUMP

## MODEL 90QJ(D)-4T

PERFORMANCE CURVE



### TECHNICAL DATA

Model	Power		Voltage (V)	Ampere (A)	Capacity(Q) and Head(H)						Pipe Dia	Pump weight (Kg)	Boundary dimension (mm)				
	kW	HP			Q T/h	0.5	1	2	3	4			5	Total length T	Motor length M	Pump casing length P	Pump casing external diameter Φ(mm)
90QJD4-23/5 A/B	0.37	0.5	220	3.4	H (m)	36	34	29	27	23	13	15	729	365	364	90	
90QJD4-32/7 A/B	0.55	0.75	220	4.4		50	48	41	38	32	18	16	800	380	420	90	
90QJD4-46/10 A/B	0.75	1	220	5.8		71	68	60	56	46	24	17	916	410	506	90	
90QJD4-60-13 A/B	1.1	1.5	220	7.2		95	92	80	72	60	32	19	1031	440	591	90	
90QJD4-72/16 A/B	1.5	2	220	9.8		115	109	95	90	72	40	22	1146	470	676	90	
90QJD4-92/20 A/B	2.2	3	220	12		143	136	119	113	92	50	24	1331	510	821	90	
90QJ4-23/5 A/B	0.37	0.5	380	1.8		36	34	29	27	23	13	1 1/2	13	719	355	364	90
90QJ4-32/7 A/B	0.55	0.75	380	2.2		50	48	41	38	32	18	14	785	365	420	90	
90QJ4-46/10 A/B	0.75	1	380	2.8		71	68	60	56	46	24	15	886	380	506	90	
90QJ4-60-13 A/B	1.1	1.5	380	3.6		95	92	80	72	60	32	16	1001	410	591	90	
90QJ4-72/16 A/B	1.5	2	380	4.6		115	109	95	90	72	40	20	1116	440	676	90	
90QJ4-92/20 A/B	2.2	3	380	5.8		143	136	119	113	92	50	23	1291	470	821	90	
90QJ4-115/25 A/B	3	4	380	7.2		180	170	145	135	115	65	26	1470	510	960	90	