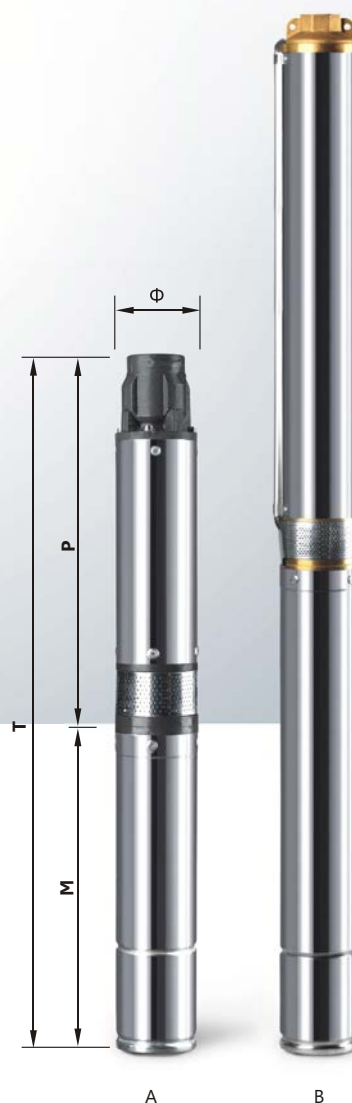
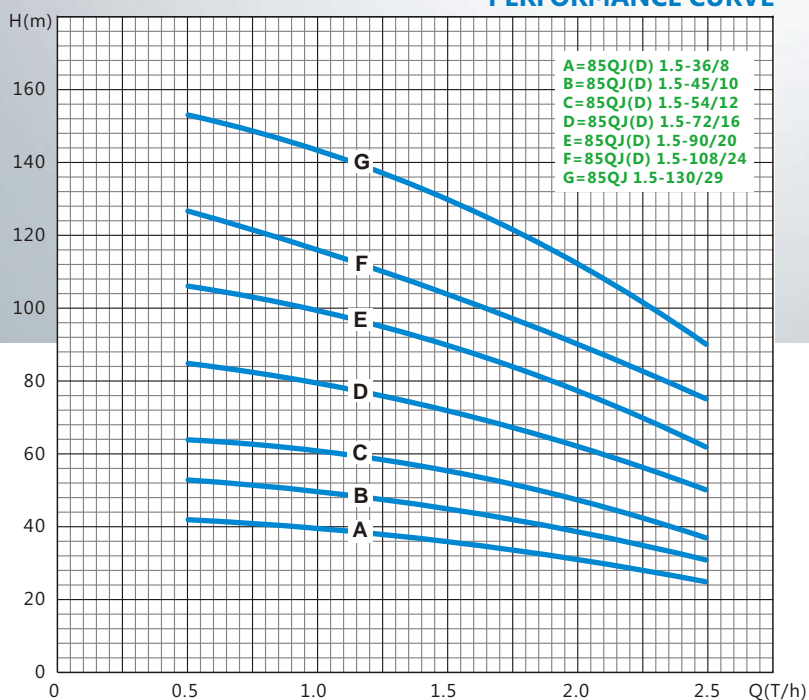


STAINLESS STEEL SUBMERSIBLE PUMP

MODEL 85QJ(D)

PERFORMANCE CURVE



TECHNICAL DATA

| Model | Power | | Voltage (V) | Ampere (A) | Capacity(Q) and Head(H) | | | | | | | Pipe Dia | Pump weight (Kg) | Boundary dimension (mm) | | | |
|---------------------|-------|------|-------------|------------|-------------------------|-----|-----|-----|-----|-----|----|----------|------------------|-------------------------|----------------|----------------|----------------------|
| | kW | HP | | | Q | H | 0.5 | 1 | 1.5 | 1.8 | 2 | | | 2.5 | Total length T | Motor length M | Pump casing length P |
| 85QJD1.5-36/8 A/B | 0.37 | 0.5 | 220 | 3.4 | H | 42 | 40 | 36 | 32 | 28 | 25 | 1 | 8 | 779 | 365 | 414 | 83 |
| 85QJD1.5-45/10 A/B | 0.55 | 0.75 | 220 | 4.2 | m | 53 | 50 | 45 | 40 | 35 | 31 | | 9 | 852 | 380 | 472 | 83 |
| 85QJD1.5-54/12 A/B | 0.75 | 1 | 220 | 5.8 | | 64 | 60 | 54 | 48 | 42 | 37 | | 10 | 925 | 395 | 530 | 83 |
| 85QJD1.5-72/16 A/B | 1.1 | 1.5 | 220 | 7.4 | | 85 | 80 | 72 | 64 | 56 | 50 | | 12 | 1071 | 425 | 646 | 83 |
| 85QJD1.5-90/20 A/B | 1.5 | 2 | 220 | 9.5 | | 106 | 100 | 90 | 80 | 70 | 62 | | 14 | 1217 | 455 | 762 | 83 |
| 85QJD1.5-108/24 A/B | 2.2 | 3 | 220 | 12.5 | | 127 | 120 | 108 | 96 | 84 | 75 | | 16 | 1363 | 485 | 878 | 83 |
| 85QJ1.5-36/8 A/B | 0.37 | 0.5 | 380 | 2.2 | | 42 | 40 | 36 | 32 | 28 | 25 | | 7.5 | 769 | 355 | 414 | 83 |
| 85QJ1.5-45/10 A/B | 0.55 | 0.75 | 380 | 2.8 | | 53 | 50 | 45 | 40 | 35 | 31 | | 8.5 | 837 | 365 | 472 | 83 |
| 85QJ1.5-54/12 A/B | 0.75 | 1 | 380 | 3.2 | | 64 | 60 | 54 | 48 | 42 | 37 | | 9.5 | 910 | 380 | 530 | 83 |
| 85QJ1.5-72/16 A/B | 1.1 | 1.5 | 380 | 4 | | 85 | 80 | 72 | 64 | 56 | 50 | | 11 | 1041 | 395 | 646 | 83 |
| 85QJ1.5-90/20 A/B | 1.5 | 2 | 380 | 4.8 | | 106 | 100 | 90 | 80 | 70 | 62 | | 13 | 1187 | 425 | 762 | 83 |
| 85QJ1.5-108/24 A/B | 2.2 | 3 | 380 | 5.8 | | 127 | 120 | 108 | 96 | 84 | 75 | | 15 | 1333 | 455 | 878 | 83 |
| 85QJ1.5-130/29 A/B | 3 | 4 | 380 | 7 | | 153 | 145 | 130 | 116 | 101 | 90 | | 17 | 1508 | 485 | 1023 | 83 |